



Installation Instructions – 240V Meter

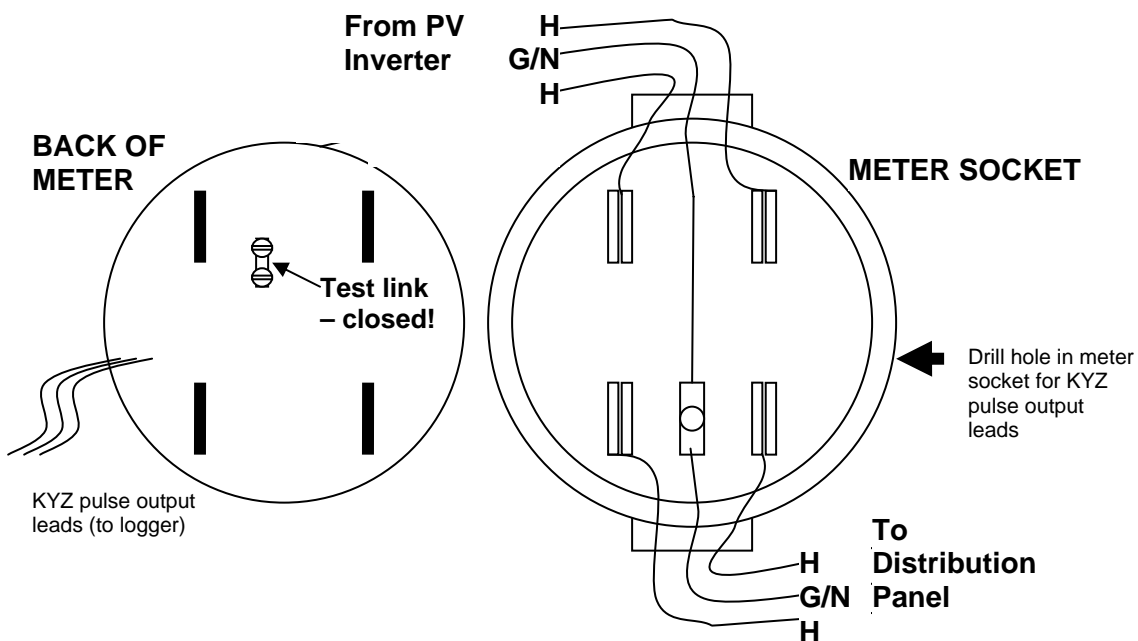
Mounting the Meter Socket

The meter socket should be positioned between the inverter and the AC tie-in point (usually a distribution panel), so that it measures the output of the PV system only. If possible, locate the meter socket close to the location of the data logger.

Meter Socket Wiring - Electrical

Electrical leads coming from the PV inverter enter the top of the meter socket as shown in Figure 1, and leave the bottom of the meter socket toward the distribution panel. Check to make sure the test link on the back of the meter is closed, and that the 18 AWG conductor has been removed from the test link.

Figure 1. Meter Socket Wiring – 240V PV Output



Meter Pulse Output Wiring

The KYZ pulse leads should be connected to the appropriate positions on the logger terminal strip as shown in Table 1.

Table 1. Meter Pulse Output Wiring

<u>Pulse Lead</u>	<u>Logger Terminal</u>
K (Common – Red)	Terminal Block (GROUND)
Y (Yellow)	Terminal Block (COUNT 1)
Z (Black)	Terminal Block (COUNT 2)